



Features

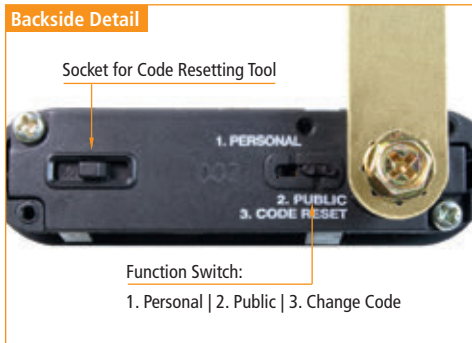
- ▶▶ Metal within plastic housing
- ▶▶ Quick & easy installation
- ▶▶ 10,000 possible combinations
- ▶▶ Each lock comes with 2 modes:
 - Public – multiple users
 - Personal – single user
- ▶▶ Suitable for thicknesses: 16 mm – 20 mm

Applications

- ▶▶ Office furniture
- ▶▶ Cabinets
- ▶▶ Lockers at gyms, school, and medical
- ▶▶ Personal locker and safe
- ▶▶ Subway
- ▶▶ Bowling alley

SMART KEY AND CODE RESETTING TOOL
(RESETS PERSONAL MODE TO FACTORY CODE)
SOLD SEPARATELY – SEE PAGE 95

Backside Detail



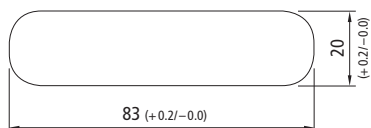
Set includes

- 1 Combination Lock
- 1 Straight Cam
- 1 Offset Cam
- 2 Mounting Screws
- 1 Fixing Plate

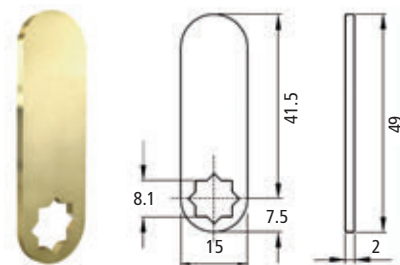
Item Number	Description
32811 58 115	4 Digit Combination Lock – Horizontal

FOR OPTIONAL ITEMS SEE
ACCESSORIES PAGES
AT END OF LOCK SECTION

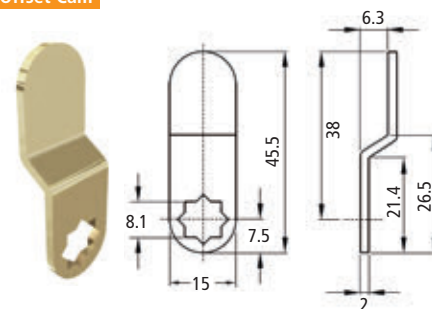
Drill hole



Straight Cam



Offset Cam



Dimensions

