

Features

- ▶ Metal within plastic housing
- ▶ Quick & easy installation
- ▶ 10,000 possible combinations
- ▶ Each lock comes with 2 modes:
 - Public – multiple users
 - Personal – single user
- ▶ Hole diameter required: 3" (76 mm)
- ▶ Suitable for thicknesses: 16 mm – 20 mm

Applications

- ▶ Office furniture
- ▶ Cabinets
- ▶ Lockers at gyms, school, and medical
- ▶ Personal locker and safe
- ▶ Subway
- ▶ Bowling alley

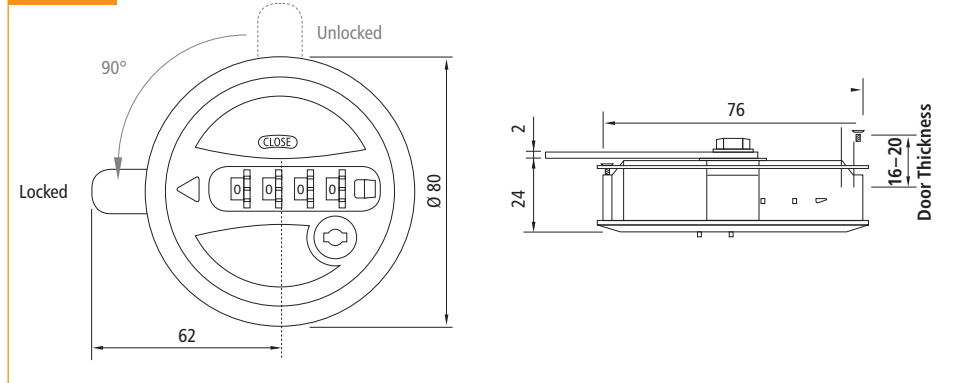


SMART KEY AND CODE RESETTING TOOL
(RESETS PERSONAL MODE TO FACTORY CODE)
SOLD SEPARATELY – SEE PAGE 95

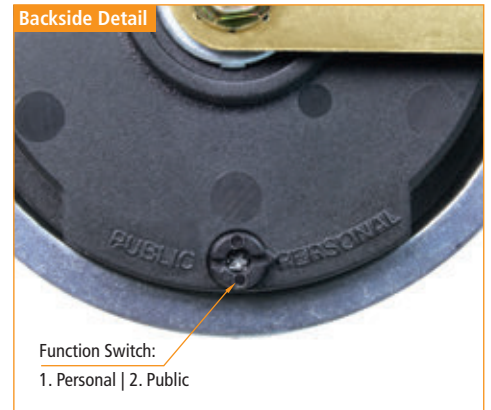
| Set includes | |
|--------------|------------------|
| 1 | Combination Lock |
| 1 | Straight Cam |
| 2 | Mounting Screws |
| 1 | Fixing Washer |

| Item Number | Description |
|---------------|----------------------------------|
| 32811 58 114* | 4 Digit Combination Lock – Round |

Dimensions

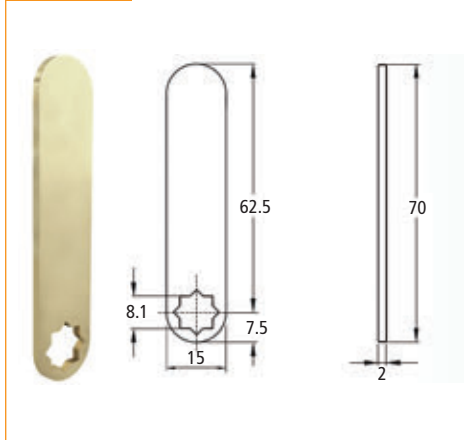


Backside Detail



FOR OPTIONAL ITEMS SEE
ACCESSORIES PAGES
AT END OF LOCK SECTION

Straight Cam



* – Special Order Only – call for current pricing, minimum order quantity, and lead-time.