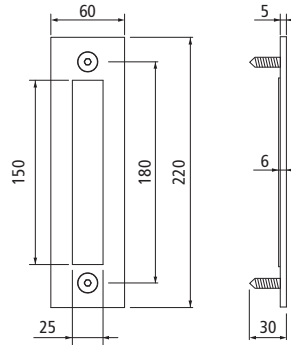


Features

- ▶ Flush mount does not require a routed door surface
- ▶ For a door thickness of 1-3/8" – 2-11/64" (35 mm – 55 mm)
- ▶ Height: 8-21/32" (220 mm)
- ▶ Screws and Allen key are included

Item Number	Finish
77519 51 321	Matte Black
77519 53 322	Oil Rubbed Bronze
77519 56 323	Stainless Steel

Dimensions



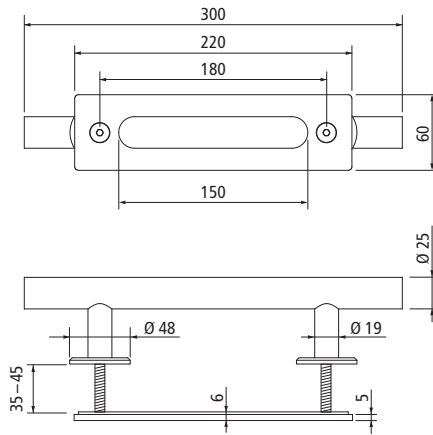
Surface Mount Flush Handles & Bar Pulls

Features

- ▶ Flush mount does not require a routed door surface
- ▶ For a door thickness of 1-3/8" – 2-11/64" (35 mm – 55 mm)
- ▶ Bar pull handle dimensions:
  - Length: 12"
  - Diameter Ø: 15/16"
- ▶ Screws, Allen key, and 2 backplates are included
  - Backplates have a diameter Ø of 1-3/4"

Item Number	Finish
77519 51 324	Matte Black
77519 53 325	Oil Rubbed Bronze
77519 56 326	Stainless Steel

Dimensions

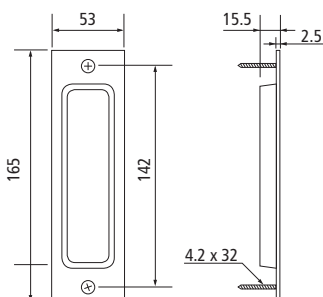


Recessed Flush Handles

Standard Height · 6-1/2"	
Item Number	Finish
77539 51 301	Matte Black
77539 53 302	Oil Rubbed Bronze
77539 59 300	Satin Nickel

Extended Height · 8"	
Item Number	Finish
77539 51 304	Matte Black
77539 53 305	Oil Rubbed Bronze
77539 59 303	Satin Nickel

Dimensions



Dimensions

